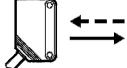

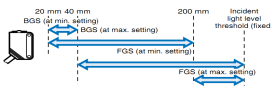


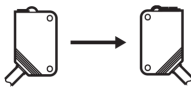

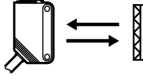
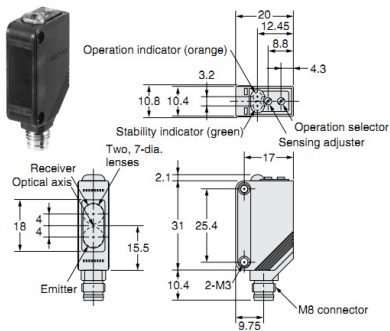


OM.E3Z Photoelectric Sensors

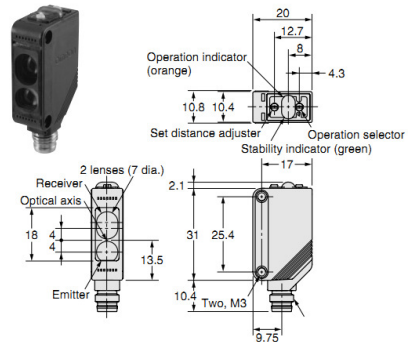
CODE	OMRON CODE	SENSING DISTANCE	SENSOR TYPE	MODEL
OM.E3Z-D86.OMS	E3Z-D86	5 to 100 mm (wide view)	Diffuse reflective	
OM.E3Z-LL86.OMS	E3Z-LL86	20 to 40 mm (Min. distance set) 20 to 300 mm (Max. distance set)	Distance settable	
OM.E3Z-LS86.OMS	E3Z-LS86		Distance settable	
OM.E3Z-LT86.OMS	E3Z-LT86	 60 m	Through beam	
OM.E3Z-R86.OMS	E3Z-R86	 4m [100mm] *1	Retroreflective model	

*1 the number between parentheses indicates the minimum required distance

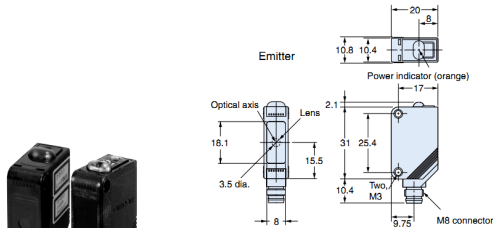
OM.E3Z-D86.OMS
OM.E3Z-R86.OMS



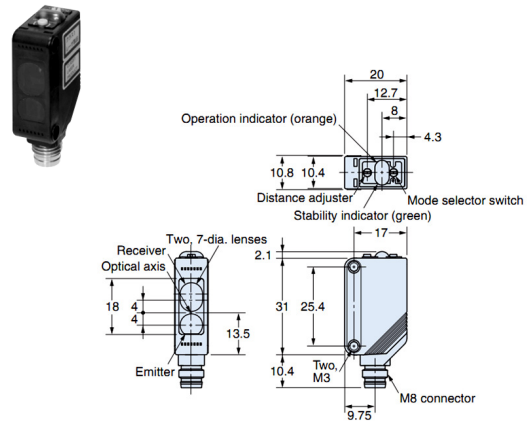
OM.E3Z-LS86.OMS



OM.E3Z-LS86.OMS



OM.E3Z-LL86.OMS



2014/01